

CM240W-8HDSD / CM240W-8HDSDA

17" HD/SD-SDI Multiviewer Monitor

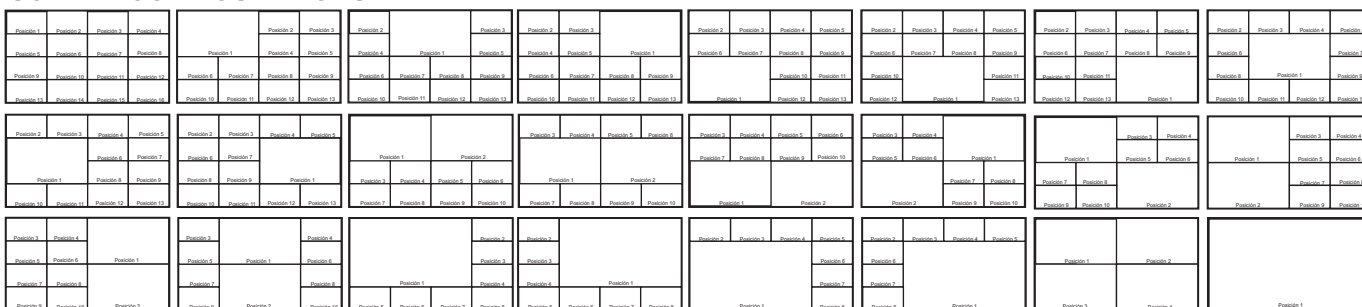


24" HD/SD-SDI Multiviewer Monitor 8 HD/SD-SDI Monitors

LED Backlight / **LOW POWER CONSUMPTION**



SCREEN CONFIGURATIONS



These configurations are selectable through OSD or remote control RS-232.
Possibility to allocate to each position the wanted input.

SPECIFICATIONS

	CM170W-8HDSD / CM170W-8HDSDA
Display size	24"
Resolution	1920x1200
Aspect ratio	16:10
Viewing angle	178,178
Brightness	300 cd/m ²
Contrast	1.000:1
HD/SD-SDI inputs	8 x BNC
Supported resolutions	720p (60/59.94) 1080i(60/59.94/50) 576i(50)
Text inserter	16 characters (IMD) TSL comp.
Tally	Green and red TSL comp. GPIO Connector
Remote control	RS-232
Audio vu-meters	Ref. CM240W-8HDSDA 4 channels per input
Chassis	Metallic
Dimensions	552 x 390 x 97 mm
Operating temperature	5 °C a 40 °C
Operating humidity	5% a 90%
Power supply	220 AC
Accessories	AC240WR: 19" Rack mounting kit CA-PE20: Stand

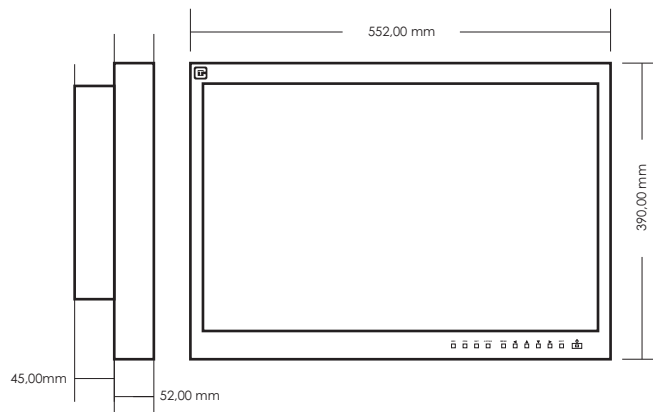
These monitors have **8 HDS/SDSDI inputs** and multiple screen configurations set from factory selectable through OSD or remote control RS-232.

Each input has text inserter (**IMD In-monitor Display**) of 16 characters, two colour **tally**, and ref. CM170W-8HDSDA has embedded audio vu-meters (4 channels per input).

Through OSD it is possible to set screen configuration, and variables like border colour, text colour,...

The **CMS software** is available to configure and control the Multiviewer remotely.

DIMENSIONS



Specifications are subject to change without prior notifications