

# CM240W-4HDSD / CM240W-4HSDA

## 24" HD/SD-SDI Quad Split Monitor



## 24" HD/SD-SDI Quad Split Monitor

### 4 HD/SD-SDI inputs

LED Backlight / **LOW POWER CONSUMPTION**



These 24" monitors have **4 HDSDI/SDSDI input**, and using direct keys of front panel is possible to display full screen of each input or quad visualization.

Each input has text inserter (**IMD In-monitor Display**) of 16 characters, two colour **tally**, and ref. CM240W-4HSDA has embedded audio vu-meters (4 channels per input).

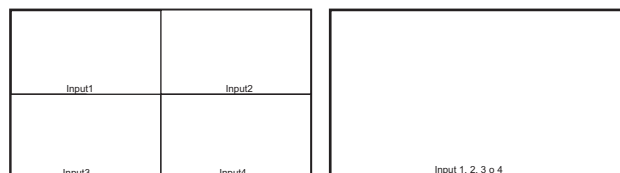
Through OSD it is possible to set screen configuration, and variables like border colour, text colour,...

The **CMS software** is available to configure and control the Multiviewer remotely.

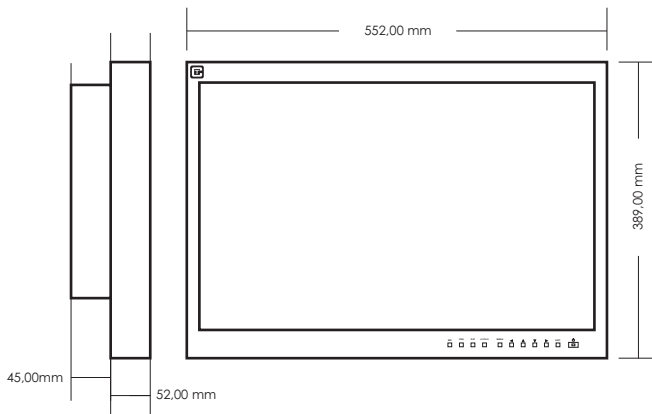
### General features

|                       | CM240W-4HDSD / CM240W-4HSDA                             |
|-----------------------|---|
| Display Size          | 24"   |
| Resolution            | 1920x1200   |
| Aspect ratio          | 16:10   |
| Viewing angle         | 178,178   |
| Brightness            | 400 cd/m <sup>2</sup>                                   |
| Contrast ratio        | 1.000:1   |
| HDSDI/SDSDI inputs    | 4 x BNC   |
| Supported resolutions | 720p (60/59.94)<br>1080i(60/59.94/50)<br>576i@50        |
| Text inserter         | 16 characters (IMD) TSL comp.                           |
| Tally                 | Green and red TSL comp.<br>15 Pins GPIO Connector (red) |
| Vu-meters             | Ref. CM240W-4HSDA<br>4 channels per input               |
| Remote control        | RS-232, TSL ( tally and IMD)                            |
| Chassis               | Metallic  |
| Dimensions            | 552 x 389 x 92  |
| Operating temperature | 5 °C a 40 °C  |
| Operating humidity    | 5% a 90%  |
| Power supply          | 220 AC  |
| Accessories           | AC240WR: 19" rack mounting kit<br>CA-PE20: Stand        |

### SCREEN CONFIGURATION



### DIMENSIONS



Specifications are subject to change without prior notifications